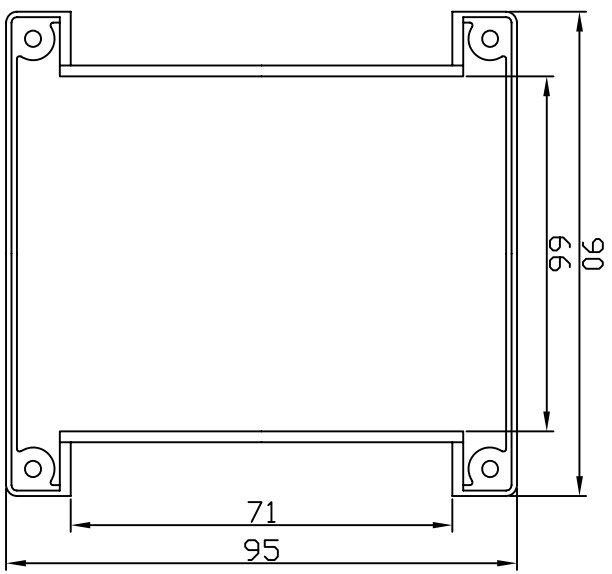
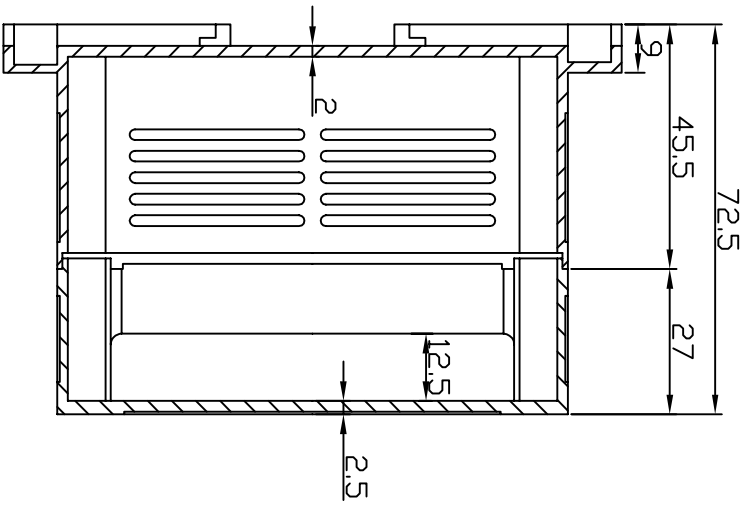
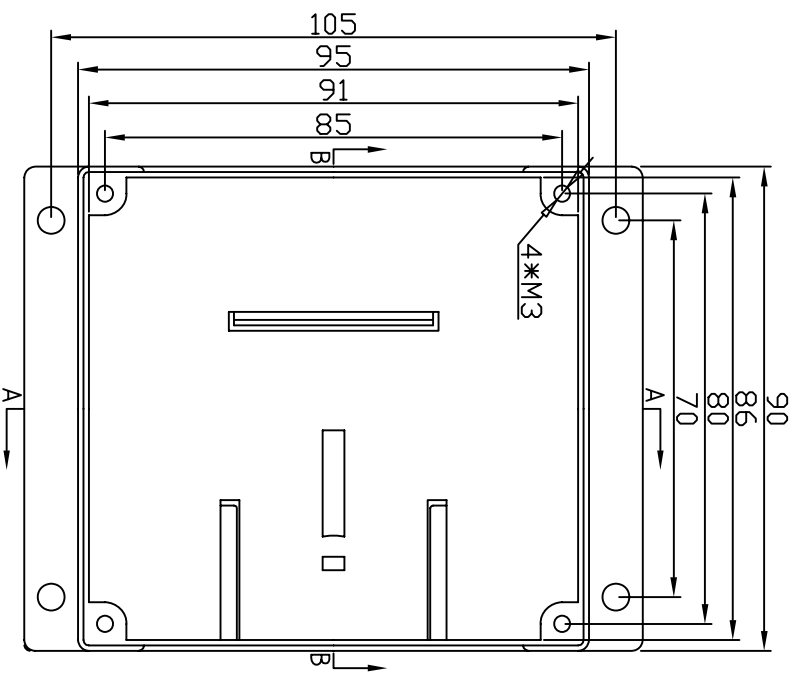
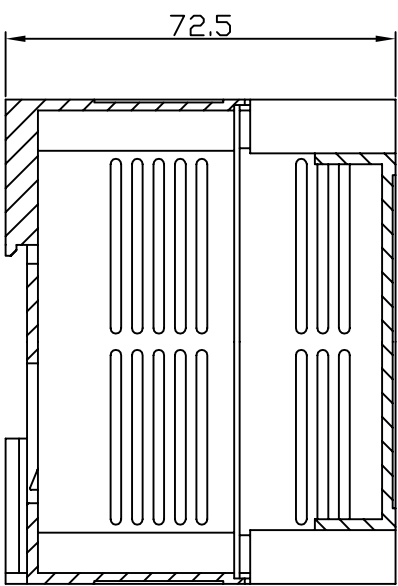


REVISION RECORD				
REV	ECD	DESCRIPTION	DRFT	CHKD

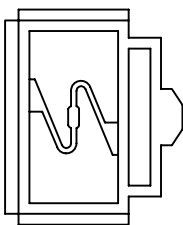


A-A

B-B



安装卡子



DETACHED LISTS			
MM (INCH)	DATE	DATE	DATE
TOLERANCES EXCEPT AS NOTED	CHKD	DATE	DATE
MM	APPVL	DATE	DATE
0 ± 0.3	MATERIAL: ABS		
.00 ± 0.2	QTY: 1		
.000 ± 0.1	FINISH:		
ANGLES ± 5°	DRAWING NO. PLC005		
THIRD ANGLE PROJECTION	/PART NO. 00		
SCALE: 1:1	DID NOT SCALE DRAWING		
SHEET 1 OF 1			

埃弗勒斯 EVEREST  
WWW.EVERESTCASE.COM

PLC005

SIZE A4  
REV