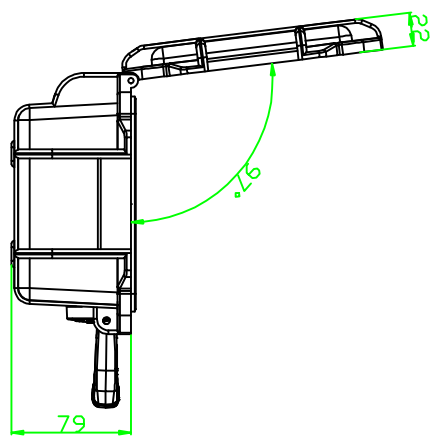
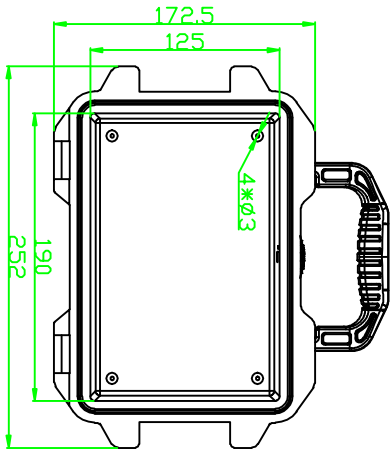
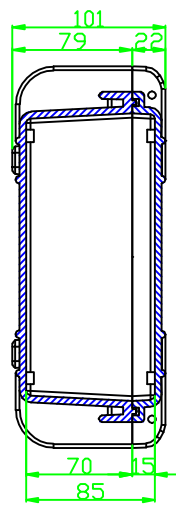
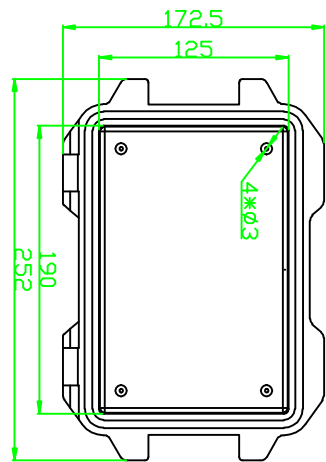
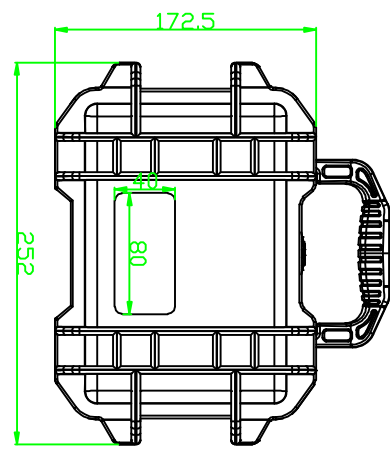
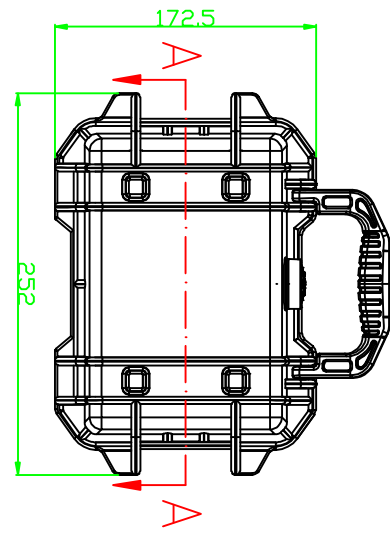


REVISION RECORD				
REV	ECN	DESCRIPTION	DRFT	CHKD



DETACHED LISTS		NAME		DATE	
 FIRST ANGLE PROJECTION	 (MM)	DRAWN	Kent	09/20/2016	
TOLERANCES EXCEPT AS NOTED		CHECKED			
ALL TOLERANCES IT13		ENG APPR			
CNC TOLERANCES +/- 0.5mm		MATERIAL		PP	
FDM TOLERANCES +/- 3mm		QT'Y		1	
FINISH		SCALE		1:1	
DRAWING NO: RPC1010		TITLE			
/PART NO: 00		DRAWING NO: RPC1010		SIZE: A4	
DD NDT SCALE DRAWING		SHEET 1		OF 1	

DRX EVEREST
WWW.EVERESTCASE.COM

RPC1010