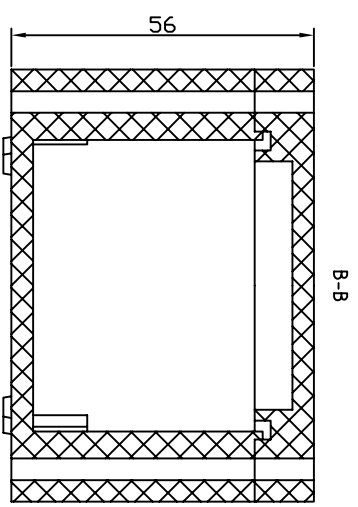
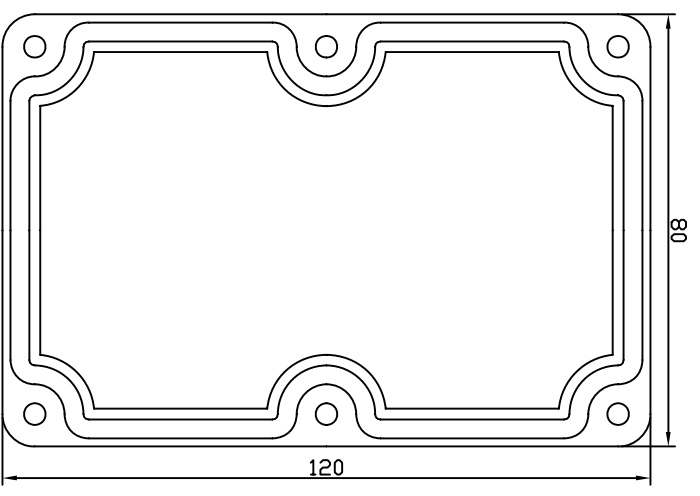
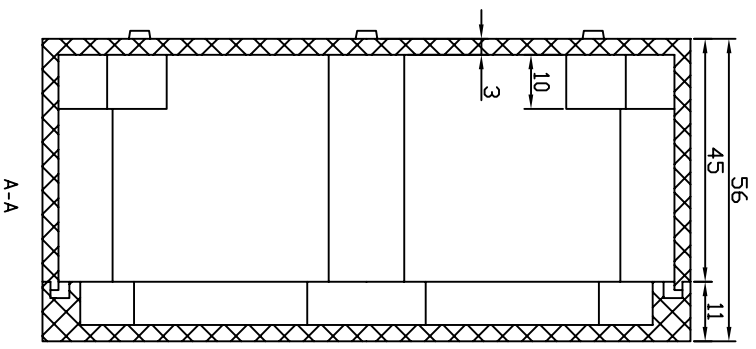
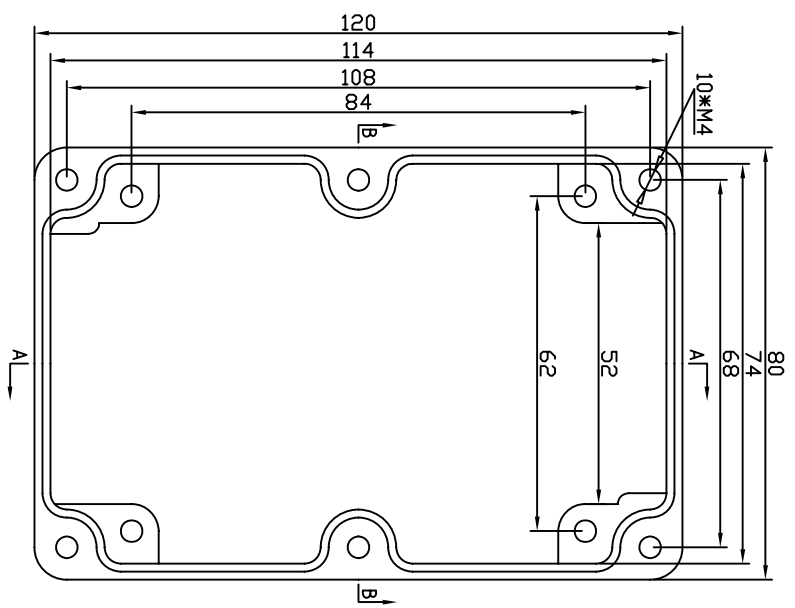


REVISION RECORD			
REV	ECD	DESCRIPTION	DRFT



DETACHED LISTS			
 THIRD ANGLE PROJECTION	DIM (INCH)	DIM (MM)	DATE
	TOLERANCES EXCEPT AS NOTED	±	DATE
ANGLES ± 5°	±	±	DATE
MATERIAL: AL	QTY:	DATE	DATE
FINISH:	DATE	DATE	DATE
SCALE: 1:1	DATE	DATE	DATE
DD NOT SCALE DRAWING	DRAWING NO. AW004	/PART NO. 00	SIZE A4
SHEET 1	TITLE	AW004	REV OF 1

埃弗勒斯
EVEREST
WWW.EVERESTCASE.COM