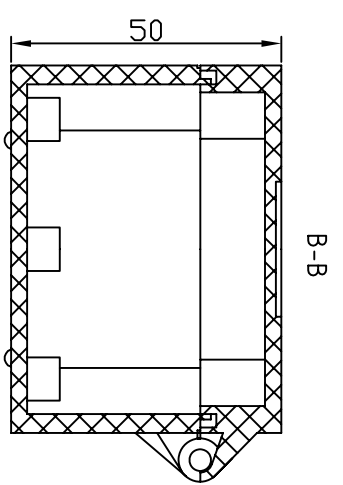
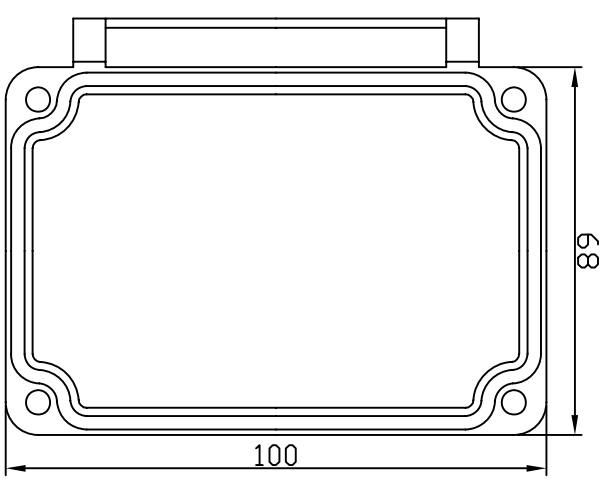
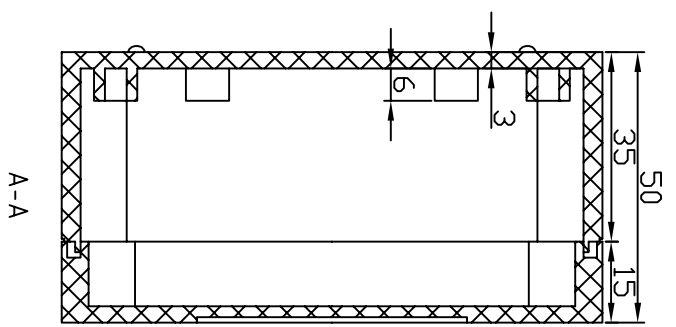
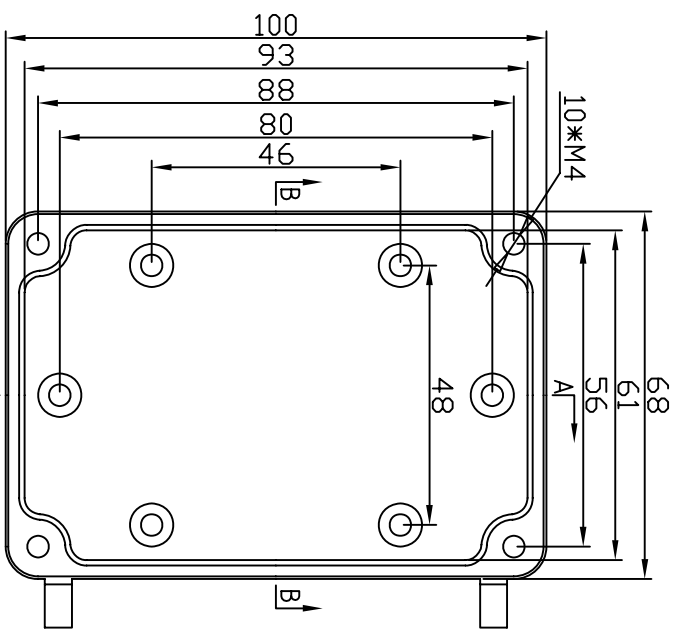


REVISION RECORD				
REV	ECD	DESCRIPTION	DRFT	CHKD



DETACHED LISTS																	
<table border="1"> <tr> <td>MM</td> <td>(INCH)</td> </tr> <tr> <td>0.1 ± 0.03</td> <td>±</td> </tr> <tr> <td>0.01 ± 0.02</td> <td>±</td> </tr> <tr> <td>0.001 ± 0.01</td> <td>±</td> </tr> </table>	MM	(INCH)	0.1 ± 0.03	±	0.01 ± 0.02	±	0.001 ± 0.01	±	<table border="1"> <tr> <td>DRFTD</td> <td>DATE</td> </tr> <tr> <td>CHKD</td> <td>DATE</td> </tr> <tr> <td>WFD</td> <td>DATE</td> </tr> <tr> <td>APPVL</td> <td>DATE</td> </tr> </table>	DRFTD	DATE	CHKD	DATE	WFD	DATE	APPVL	DATE
MM	(INCH)																
0.1 ± 0.03	±																
0.01 ± 0.02	±																
0.001 ± 0.01	±																
DRFTD	DATE																
CHKD	DATE																
WFD	DATE																
APPVL	DATE																
<table border="1"> <tr> <td>ANGLES ± 5°</td> <td>±</td> </tr> </table>	ANGLES ± 5°	±	<table border="1"> <tr> <td>FINISH:</td> <td>SCALE: 1:1</td> </tr> </table>	FINISH:	SCALE: 1:1												
ANGLES ± 5°	±																
FINISH:	SCALE: 1:1																
<table border="1"> <tr> <td>THIRD ANGLE PROJECTION</td> <td>SCALE: 1:1</td> </tr> </table>		THIRD ANGLE PROJECTION	SCALE: 1:1														
THIRD ANGLE PROJECTION	SCALE: 1:1																
<table border="1"> <tr> <td>MATERIAL: AL</td> <td>QTY: 1</td> </tr> </table>		MATERIAL: AL	QTY: 1														
MATERIAL: AL	QTY: 1																
<table border="1"> <tr> <td>TITLE</td> <td>AW0005</td> </tr> </table>		TITLE	AW0005														
TITLE	AW0005																
<table border="1"> <tr> <td>DRAWING NO. AW0005</td> <td>SIZE A4</td> </tr> <tr> <td>/PART NO. 00</td> <td>REV</td> </tr> </table>		DRAWING NO. AW0005	SIZE A4	/PART NO. 00	REV												
DRAWING NO. AW0005	SIZE A4																
/PART NO. 00	REV																
<table border="1"> <tr> <td>DD NOT SCALE DRAWING</td> <td>SHEET 1 OF 1</td> </tr> </table>		DD NOT SCALE DRAWING	SHEET 1 OF 1														
DD NOT SCALE DRAWING	SHEET 1 OF 1																

**埃弗勒斯**  
EVEREST  
WWW.EVERESTCASE.COM

AW0005