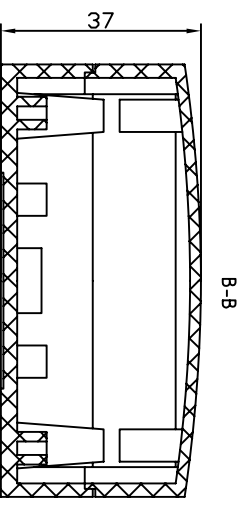
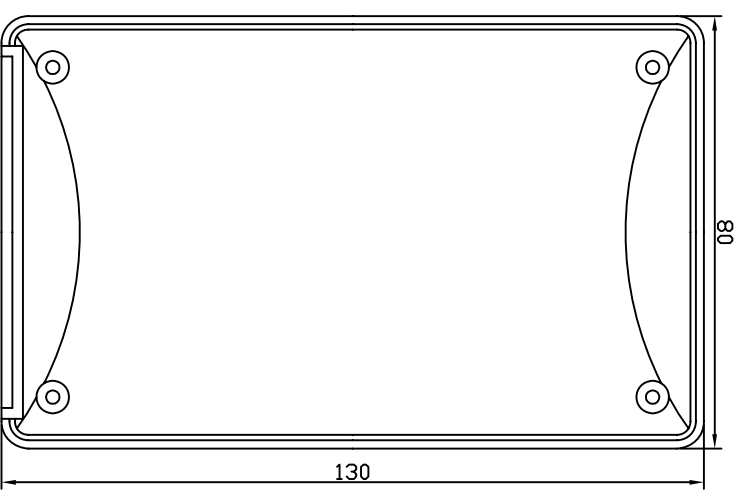
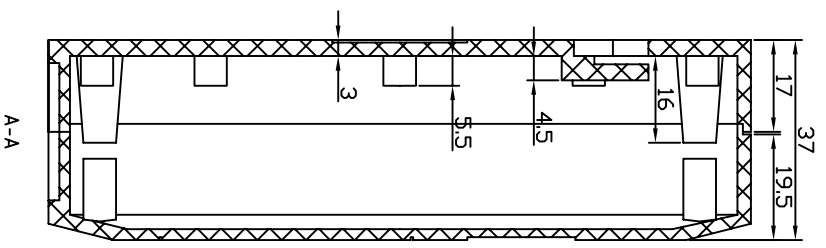
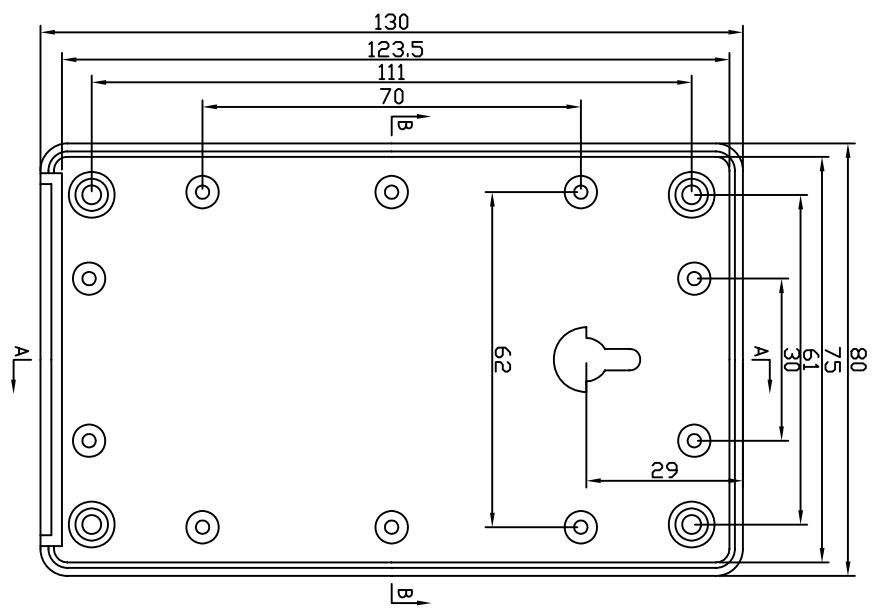


REVISION RECORD				
REV	ECD	DESCRIPTION	DRFT	CHKD



DETACHED LISTS			
 THIRD ANGLE PROJECTION	MM (INCH)	DRFTD	DATE
	TOLERANCES EXCEPT AS NOTED	CHKD	DATE
ANGLES ± 5°	±	MFD	DATE
0 ± 0.3 .00 ± 0.2 .000 ± 0.1	±	APPVL	DATE
MATERIAL: ABS	QTY: 1	TITLE	
FINISH:	DRAWING NO. PC059	埃弗勒斯 EVEREST WWW.EVERESTCASE.COM	
SCALE: 1:1	/PART NO. 00	SIZE A4	REV
DID NOT SCALE DRAWING	SHEET 1	OF 1	REV