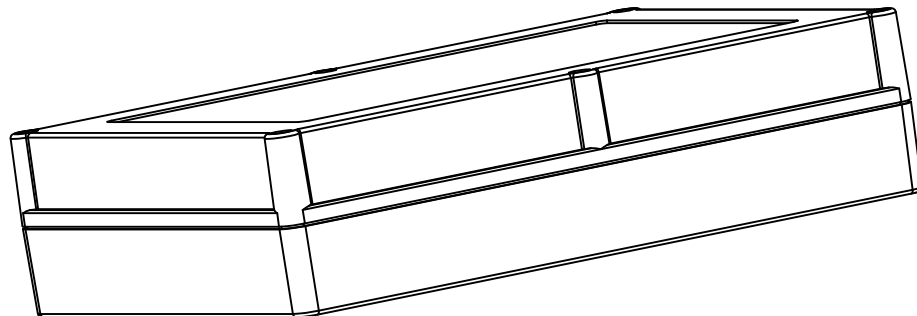
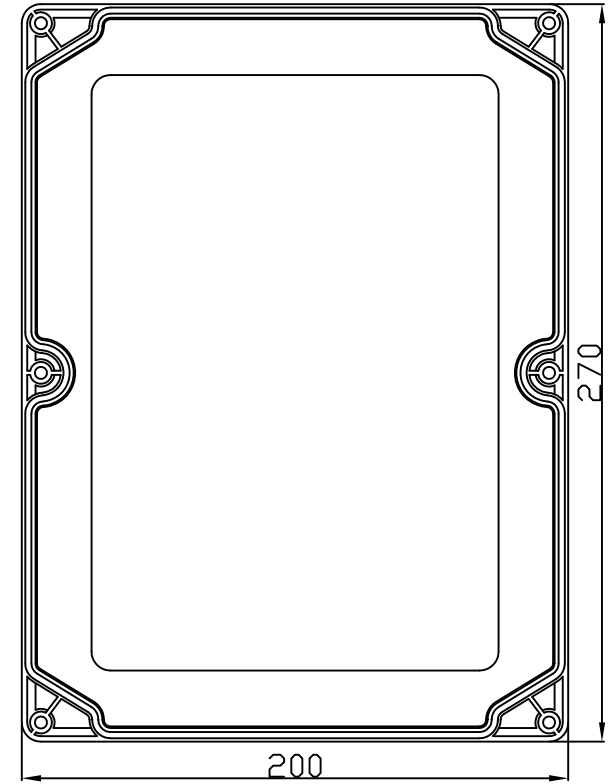
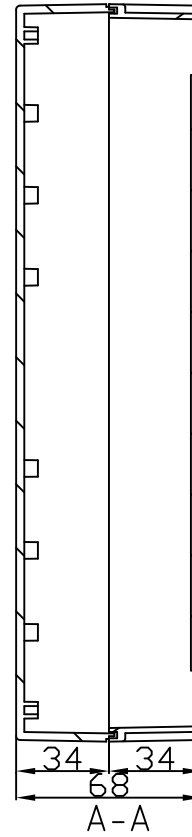
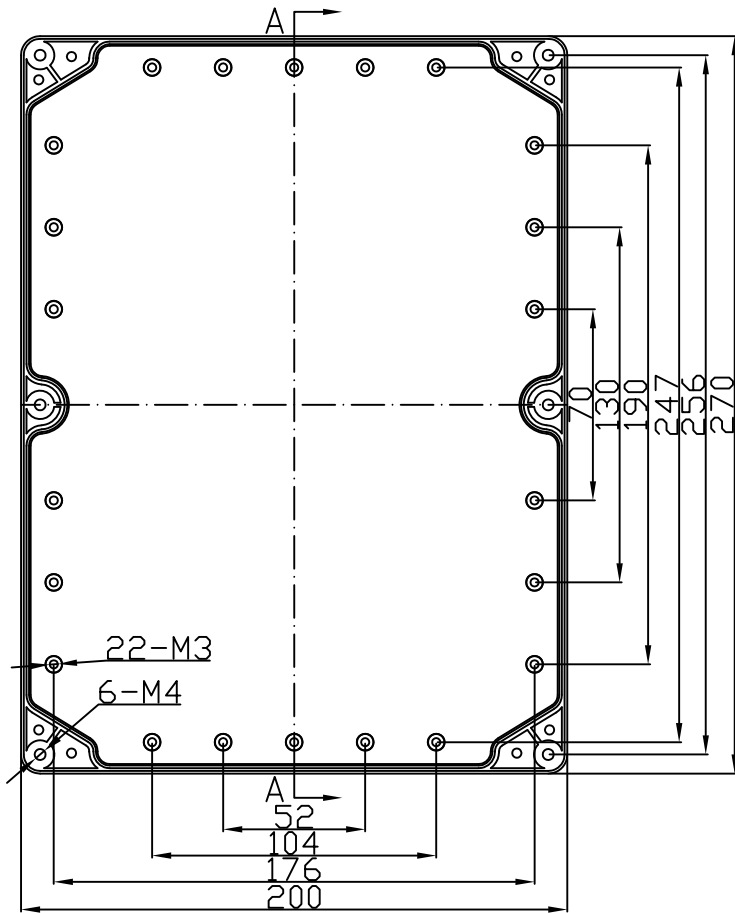


REVISION RECORD				
REV	ECD	DESCRIPTION	DRFT	CHKD



DETACHED LISTS			DRAWN	NAME	DATE	 EVEREST WWW.EVERESTCASE.COM	TITLE	
	TOLERANCES EXCEPT AS NOTED		CHECKED				PW099	
	MM		ENG APPR				DRAWING NO. PW099	
	.0 ± 0.3	±	MATERIAL : ABS		/PART NO. 00		SIZE	REV
.00 ± 0.2	±	QT'Y :		DRAWING NO. PW099		A4		
.000 ± 0.1	±	FINISH:		/PART NO. 00				
ANGLES ± 5°		SCALE : 1:1		DO NOT SCALE DRAWING		SHEET 1	OF 1	
 FIRST ANGLE PROJECTION								