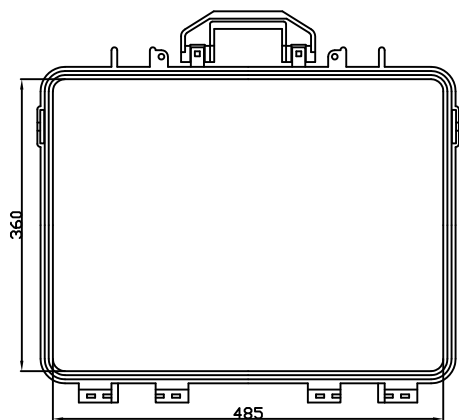
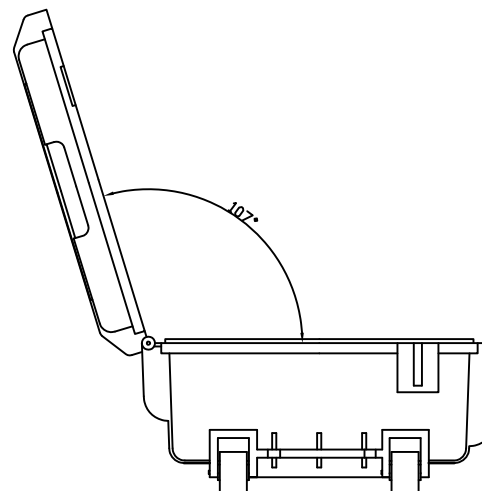
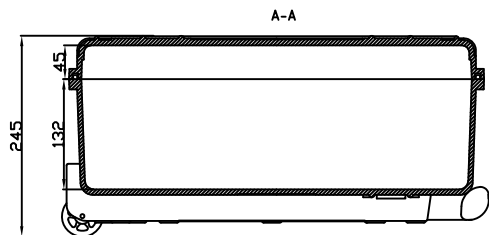
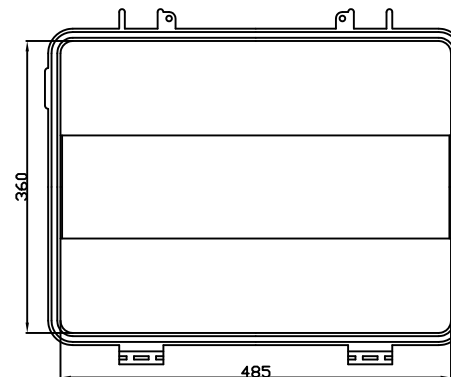
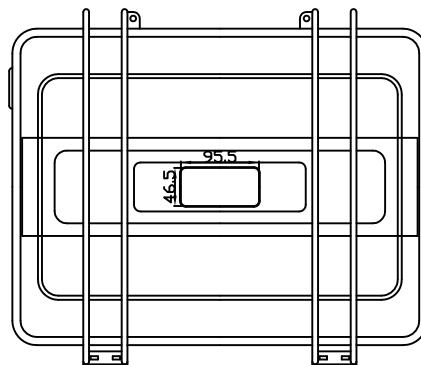
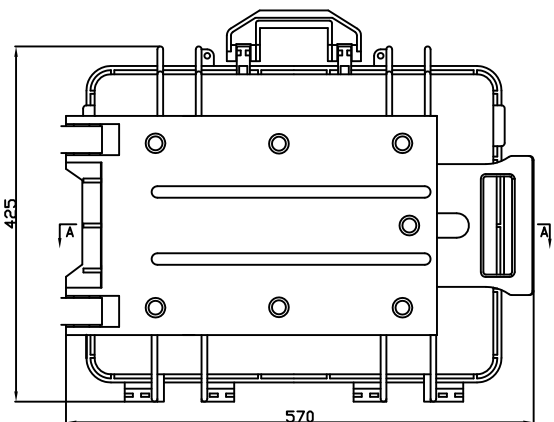




BASIC SIZE	0~3	>3~6	>6~10	>10~18	>18~30	>30~50	>50~80	>80~120	>120~180	>180~250
DIMS TOLERANCE	±0.14	±0.18	±0.22	±0.27	±0.33	±0.39	±0.46	±0.54	±0.63	±0.72



THE MACHINING TOLERANCES		NAME	DATE	 DRX.EVEREST WWW.EVERESTCASE.COM	TITLE EVEREST CASE				
UNSPECIFIED TOLERANCES FOLLOW GB/1804-1992 IT13		DRAWN							
FOAM TOLERANCES	±3mm	CHECKED		MATERIAL	ABS				
THE ANGLE TOLERANCES	±1°	ENG APPR		/PART NO	EPC017B				
FIRST ANGLE PROJECTION		QT'Y : 1	SCALE	1:1	UNIT	mm	DO NOT SCALE DRAWING	SHEET 1	OF 1