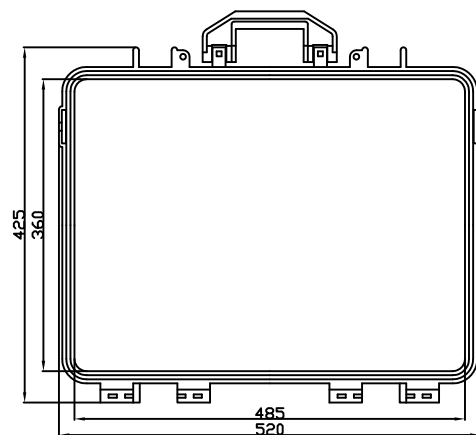
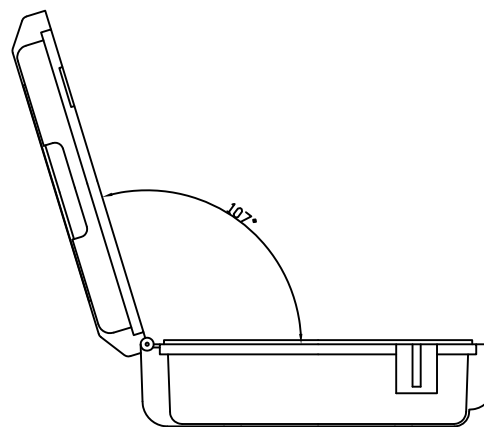
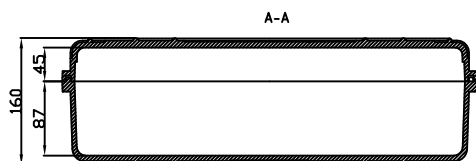
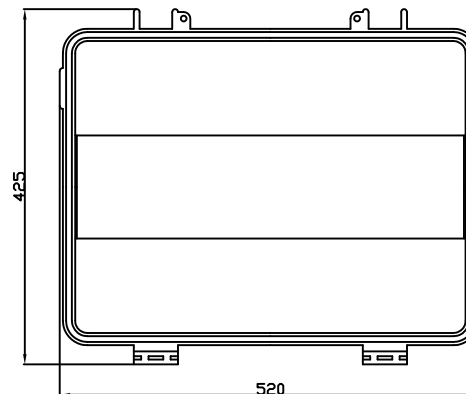
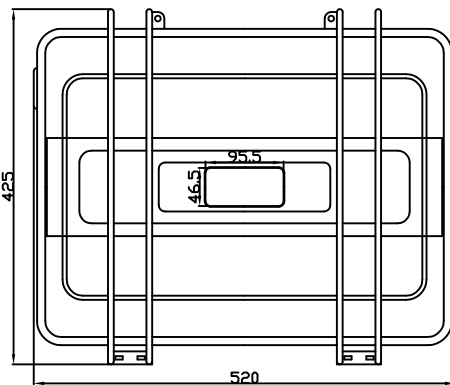
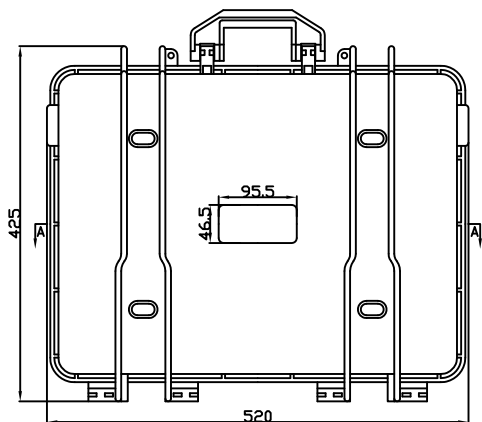

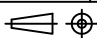


BASIC SIZE	0~3	>3~6	>6~10	>10~18	>18~30	>30~50	>50~80	>80~120	>120~180	>180~250
DIMS TOLERANCE	±0.14	±0.18	±0.22	±0.27	±0.33	±0.39	±0.46	±0.54	±0.63	±0.72



THE MACHINING TOLERANCES		NAME	DATE		<b>DRX.EVEREST</b> WWW.EVERESTCASE.COM
UNSPECIFIED TOLERANCES FOLLOW GB/1804-1992 IT13		DRAWN			
FOAM TOLERANCES ±3mm		CHECKED		TITLE	EVEREST CASE
THE ANGLE TOLERANCES ±1°		ENG APPR		MATERIAL	ABS
FIRST ANGLE PROJECTION 		QTY : 1		/PART NO	EPC017-1
		SCALE	1:1	UNIT	mm
		DO NOT SCALE DRAWING		SHEET 1	OF 1